

 **SOREDEX**

**CRANEX<sup>®</sup> 3D**



**Dynamic. Direct. Durable.**  
3D Dental Imaging System

# CRANEX® 3D – Digital imaging made easy

Panoramic  
Optional  
Cone Beam 3D  
Ceph

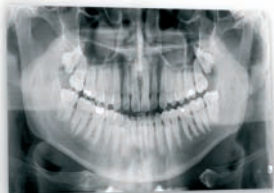


**The CRANEX® 3D** is a high quality dental imaging system with panoramic, optional cephalometric and Cone Beam 3D imaging programs. Its versatility offers dental clinics one of the most dynamic imaging systems available to meet their needs.

**The CRANEX® 3D** combines ease of use and top performance for demanding dental clinics. Its fresh and compact design makes it a desirable choice for dentists.

# New dynamics for your practice

Dental clinics benefit from the 3D imaging with more accurate clinical information and treatment planning tools. 3D imaging enables clinicians to see detailed anatomical structures with three-dimensional reconstructions and cross-sectional views.



3D delivers value in today's dental clinics

## Summary of benefits.



### DYNAMIC

- High performance with versatile range of imaging programs
- Superior image quality for better diagnostics
- Highly sensitive CMOS sensor technology
- Optimized daily workflow



### DIRECT

- ClearTouch™ control panel
- Clear functionality simplifies operation
- The SOREDEX familiar patient positioning system
- AES - Automatic exposure settings
- EasyScout™ for accurate 3D positioning
- Compact with small footprint



### DURABLE

- Robust system designed for intensive use
- SOREDEX well-known patient positioning system and accessories
- Long service life
- SOREDEX technical and clinical support network

# Diagnostic value and performance combined into one

The CRANEX® 3D provides excellent capabilities for accurate diagnostics and comprehensive treatment planning in dental clinics.

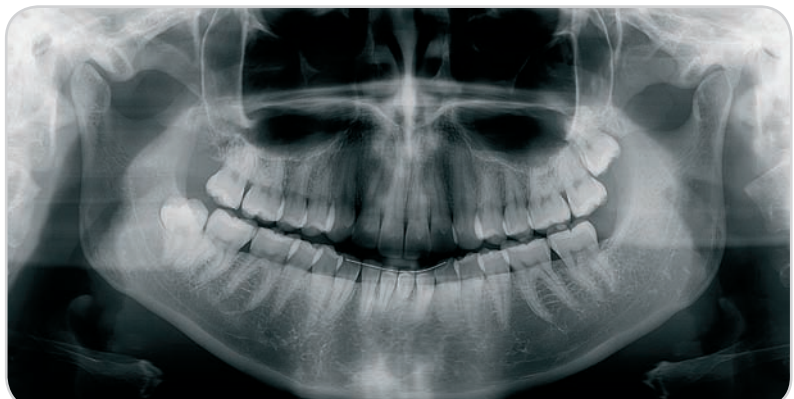
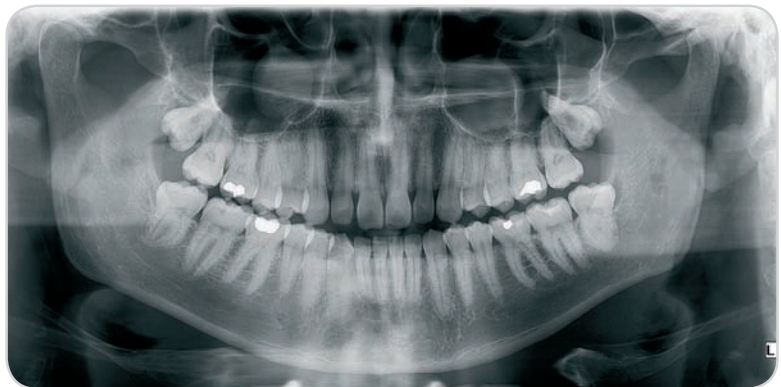
Perfect with panoramic imaging – dedicated panoramic sensor

## Panoramic imaging for dental diagnostics

Panoramic imaging brings full abilities for general dental diagnostics with correct imaging geometry and versatile range of panoramic programs. The CRANEX® 3D has a dedicated panoramic CMOS sensor enabling full panoramic image size and geometry in each panoramic program.

## Cephalometric imaging for orthodontics

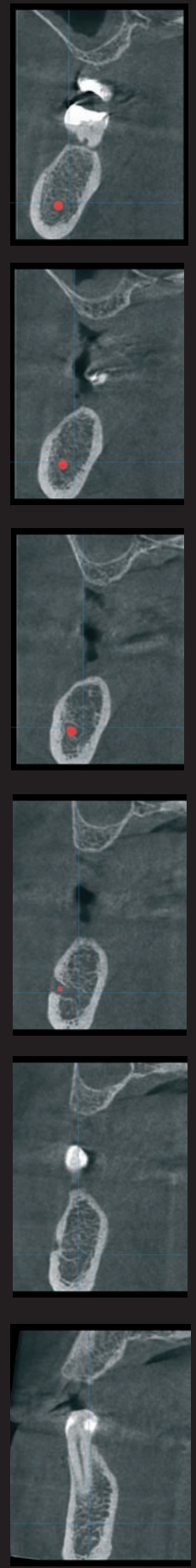
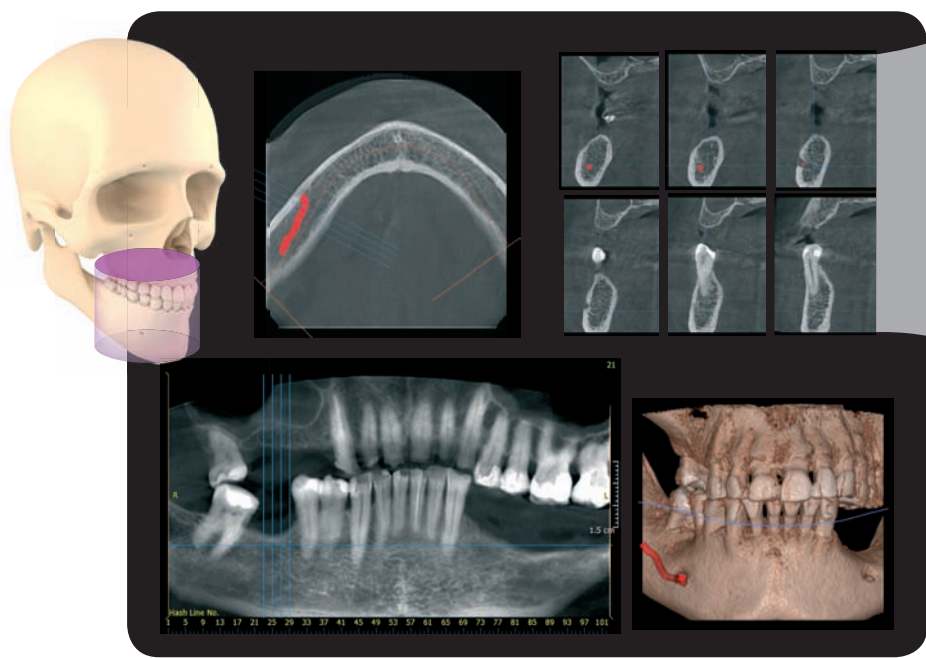
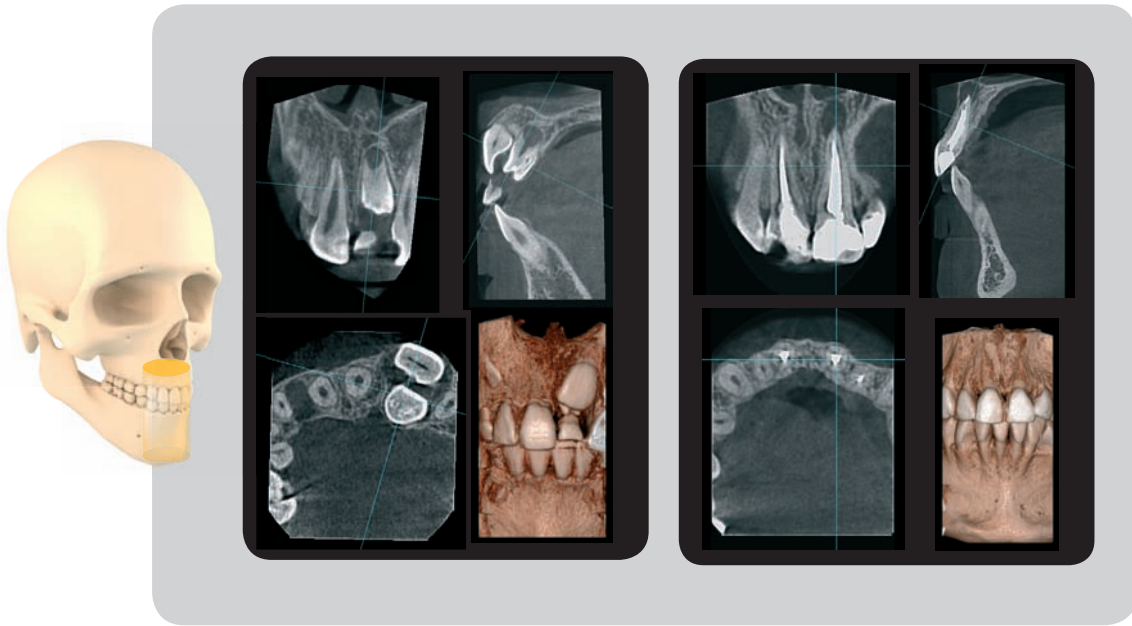
Cephalometric imaging offers programs for orthodontic treatment planning and oral surgery. Cephalometric imaging has a dedicated CMOS sensor for projection images.



**3D programs for accurate treatment planning and diagnostics**

The CRANEX® 3D provides dental clinics the opportunity to perform accurate treatment planning and diagnostics. The 3D image brings efficiency to implant planning and small surgeries enabling more accurate information of bone structures, fractures, impacted teeth, 3rd molars, TMJ and abnormal anatomy.

With two selectable fields of view and two resolution selections, the CRANEX® 3D combines diagnostic accuracy, fast imaging and low dose.



# Direct functionality makes imaging easy

The CRANEX® 3D continues the SOREDEX history of making imaging systems easy and affordable. You can count on stable and accurate patient positioning, optimized workflow and outstanding image quality.

The CRANEX® 3D is available with an integrated software solution, designed together with dental clinicians to ensure it meets your needs. The CRANEX® 3D produces image data in DICOM® format supporting open software architecture and integration to various software solutions.

## Stable and accurate patient positioning

- Rigid 4-point positioning system
- Easily adjustable, self locking temple supports
- Familiar three laser lights for accurate positioning
- Supports imaging with patient in standing and/or sitting position

## Functions to ensure successful imaging

- ClearTouch™ control panel
- The AES - automatic exposure settings based on patient size
- ACS - Automatic Collimator Selector makes it easy to switch over imaging programs
- EasyScout™ view for accurate 3D imaging
- Motorized chin rest for 3D imaging

## 3D images directly in DICOM® format

- Available with complete imaging software package ready for diagnostic needs
- Image data in DICOM® format, supporting open architecture

EasyScout™ making 3D patient positioning easy and accurate.



# CRANEX® 3D – Durable choice

## Technical data

SOREDEX has been designing and manufacturing high quality dental imaging systems for over thirty years. The durable and robust design makes the CRANEX® 3D a desirable choice for dentists due to its excellent quality, reliability and long service life.

### Panoramic imaging

Sensor type	CMOS
-------------	------

### Imaging programs

Adult panoramic, child panoramic, bitewing, sectional, TMJ lateral, TMJ PA and sinus

### Cephalometric imaging

Sensor type	CMOS
-------------	------

### Imaging programs

Full width and child lateral, PAIAP and carpus projection (\*  
\* Not available in US

### 3D imaging

Sensor type	CMOS Flat Panel
-------------	-----------------

XS FOV (height x diameter)	61 x 41 mm
----------------------------	------------

High resolution scan time exp/scan	6.1 s/10 s
------------------------------------	------------

Standard resolution scan time exp/scan	2.3 s/10 s
--	------------

Midi FOV (height x diameter)	61 x 78 mm
------------------------------	------------

High resolution scan time exp/scan	12.6/20 s
------------------------------------	-----------

Standard resolution scan time exp/scan	4.9/20 s
--	----------

### Configuration options

Panoramic	
-----------	--

Panoramic + Ceph (left/right)	
-------------------------------	--

Panoramic + 3D	Midi FOV optional
----------------	-------------------

Panoramic + 3D + Ceph (left/right)	Midi FOV optional
------------------------------------	-------------------

### X-ray generator

Generator	High frequency DC generator
-----------	-----------------------------

Focal spot	0.5mm
------------	-------

Minimum total filtration	3.2 mm Al
--------------------------	-----------

Anode voltage	57-90 kV
---------------	----------

Anode current	4-16 mA
---------------	---------

### General

Weight	200 kg (440 lbs)
--------	------------------

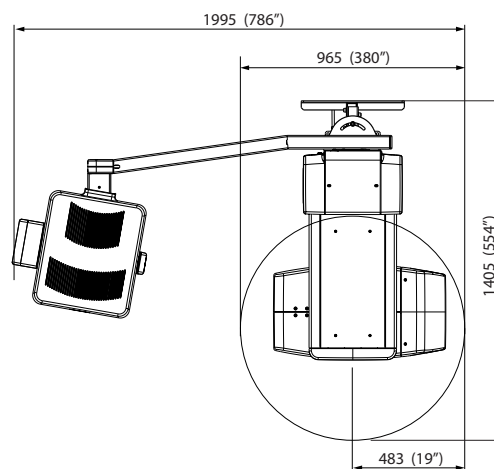
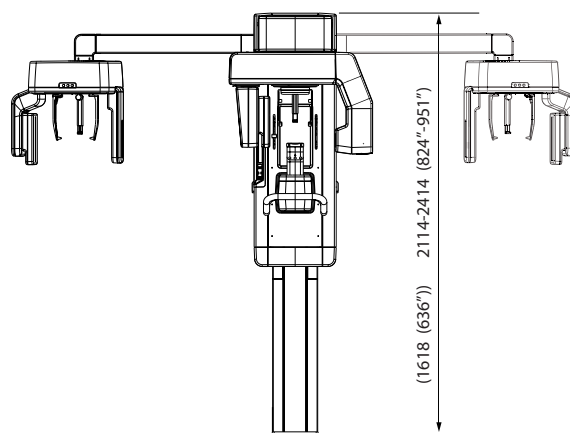
Weight with Ceph	250 kg (551 lbs)
------------------	------------------

Dimensions (HxWxD)	2414 x 965 x 1405 mm
--------------------	----------------------

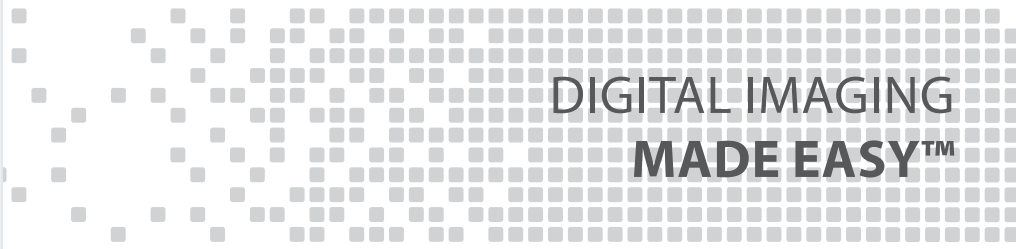
Dimensions with Ceph	2414 x 1995 x 1405 mm
----------------------	-----------------------

### Power requirements

Line voltage	220-240V / 100-120V (50/60Hz)
--------------	----------------------------------



The CRANEX® 3D's excellent signal-to-noise ratio, high resolution and wide dynamic range provide superior image quality and true diagnostic value in traditional panoramic and advanced 3D imaging. The CRANEX® 3D's flat-panel sensor is a masterpiece of modern CMOS technology. Compared to traditional image intensifiers, the flat-panel sensors offer superior image quality due to its large dynamic range, better contrast and lack of image distortion. The CRANEX® 3D combines low dose, fast imaging and high diagnostic accuracy.



DIGITAL IMAGING  
MADE EASY™

**Head Office and Factory:  
SOREDEX**

Nahkelantie 160, Tuusula  
P.O. Box 148, FI-04301 Tuusula  
Finland  
Tel. +358 10 270 2000  
Fax +358 9 701 5261  
info@soredex.com

**Subsidiary: SOREDEX USA**

1245 W. Canal Street  
Milwaukee, WI 53233 U.S.A.  
Tel. +1 800 558 6120  
Fax +1 414 481 8665  
usainfo@soredex.com

**Subsidiary: SOREDEX Germany**

Schutterstrasse 12  
77746 Schutterwald  
Germany  
Tel: +49 (0) 781 28 41 98 0  
Fax: +49 (0) 781 28 41 98 30  
kontakt@soredex.de

**Pride. Passion. Performance.**

Since 1977 SOREDEX® has been a leader in providing innovative imaging solutions for demanding professionals. Through continuous evolution and refinement we have set the highest industry standards for Quality, Reliability and Efficiency.

We are committed to follow in this path today and in the future.

SOREDEX® and CRANEX® are registered trademarks of SOREDEX, PaloDEX Group Oy. Other product names and trademarks are the property of their respective owners. CE marked (NB 0537). Electric safety according to IEC 60601-1. Manufacturing complies with ISO 13485:2003, ISO 9001:2008 and ISO 14001:2004.

DICOM® is the registered trademark of the National Electrical Manufacturers Association for its standards publications relating to digital communications of medical information.

SOREDEX® reserves the right to make changes to specifications and features shown herein at any time without notice or obligation. Contact your SOREDEX® representative for the most current information.

© 2011 SOREDEX®

206180-2 Printed in Finland