

Perfect suction power in a compact unit – the VSA Systems

Suction and Amalgam Separation in the smallest space



COMPRESSED AIR
SUCTION
IMAGING
DENTAL CARE
HYGIENE

Plug & play

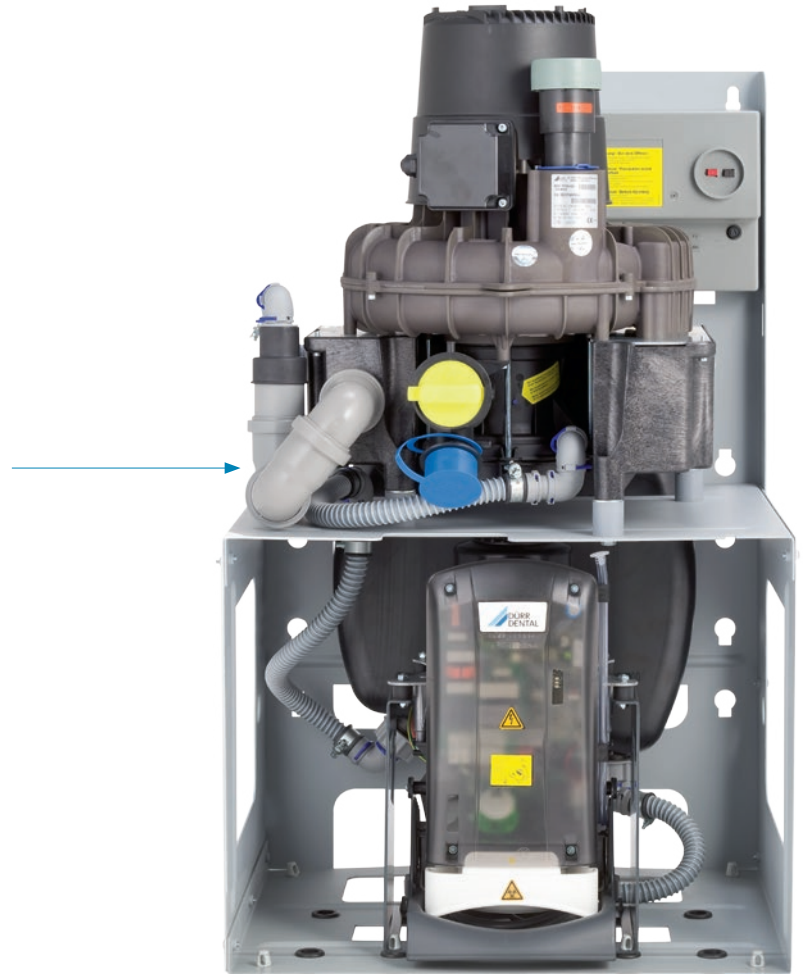
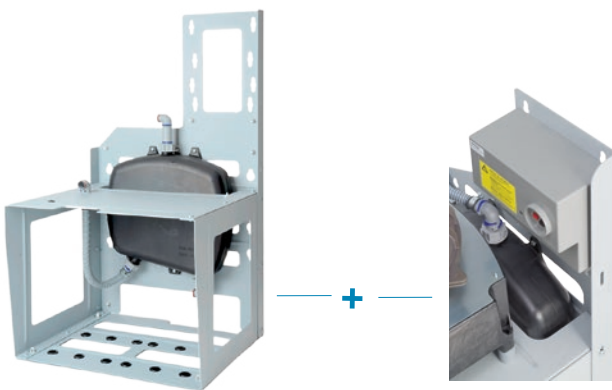
Thanks to the clever, pre-configured console

The VSA systems combine vacuum generation and separation in a single compact unit. Completely configured with hose lines, connections and a control unit, the VSA 1200 and VSA 900 systems, for example, simplify integration in every surgery, and it does not matter whether they are for new facilities or a modernisation measure. Moreover, central suction and separation improve efficiency compared to systems in the treatment units, as they minimise or even eliminate costs for additional automatic separators, for example.

The VSA principle:

Pre-configured and space-saving, either suspended or standing.

Either as VSA 600 on wall/floor brackets or as VSA 900 and VSA 1200 on the plug and play console.



VSA systems

- Maximum suction force without delay
- Variable, space-saving installation
- The two-stage separation brings high foam tolerance
- Suitable for up to 6 treatment units

VSA 300 S



VSA 600



VSA 900



VSA 1200



Generation Tyscor

Latest suction unit technology and software connection

The Tyscor VS 2 suction unit is modular in design with a high-performance, energy-efficient centrifugal suction motor and a separate separation stage. The integrated electronics allow control and monitoring of the suction unit via the Tyscor Pulse software. In addition, the amalgam separators with standard network connection are not only installed plug & play ready, but can be integrated just as easily into the surgery-supply system digital monitoring and control system via the Tyscor Pulse software. This means the staff always know the status of the devices.



Tyscor VSA 2



Tyscor VSA 2

- Energy-efficient - energy saving of up to 50%
- Compact and lightweight
- Network capable, thanks to Tyscor Pulse software
- Demand-oriented power consumption
- Intelligent control allows operation of two machines on one suction pipe



Tyscor Pulse software

- Tyscor VS 2 and all amalgam separators from Dürr Dental can be integrated into Tyscor Pulse
- Display of the fill level and upcoming container change
- Parameterisation and additional service functions, remote and from the PC.
- Test operation can be carried out from the PC



The technical data at a glance



VSA systems	VSA 300 S	VSA 600	VSA 900	VSA 900	VSA 1200	Tyscor VSA 2
Order no.	7125-01/002	7128500001	7134500001	7134500002	7138500001	7186500001
Voltage: (V)	230 (1~)	230 (1~)	230 (1~)	400 (3~)	400 (3~)	230 (1~)
Frequency (Hz)	50	50	50	50	50	50-60
Max electrical output (kW)	0.58	1.22	1.89	2.01	2.21	0.7
Current consumption (A)	2.9	5.0	7.4	3.6	3.8	3
Vacuum mbar (hPa)	180	170 (AAV) ¹	170 (AAV) ¹	170 (AAV) ¹	170 (AAV) ¹	170
Number of therapists	1	2	3	3	4	2
Number of rooms at 60% simultaneous	1	3	5	5	6	3
Max. fluid flow rate (l/min)	5	10	16	16	24	10
Dimensions without housing (H x W x D cm)	48 x 31 x 31	92 x 52 x 48	97 x 58 x 55	97 x 58 x 55	97 x 58 x 55	77 x 52 x 48
Weight without housing (kg)	14	47	65	65	65	35
Noise level ² without housing [dB(A)]	approx. 63	approx. 63	approx. 65	approx. 65	approx. 66	approx. 58
Separation rate (%) ³	97.5	with CA 2: 97.9	with CA 4: 98.9	with CA 4: 98.9	with CA 4: 98.9	with CA 2: 97.9
Certification	Z 64.1-15	Z 64.1-20	Z 64.1-22	Z 64.1-22	Z 64.1-22	Z 64.1-20

¹ AAV = Auxiliary air valve

² The noise level applies to the suction unit and is influenced by the setup room. In a reverberant room (e.g. tiled walls), the noise level may be higher.

³ Separation rates measured by the TÜV [technical monitoring authority] Essen in accordance with the German standard test for the maximum rate of fluid flow.

⁴ The maximum water flow for one CA 4 may not exceed 16 l/min!



Orotol® plus Disinfection of suction systems

Foam-free liquid concentrate for simultaneous cleaning, disinfection, deodorisation and care of all suction systems and amalgam separators



MD 555 Cleaner special cleaner

Foam-free cleaning concentrate for all kinds of suction systems and amalgam separators